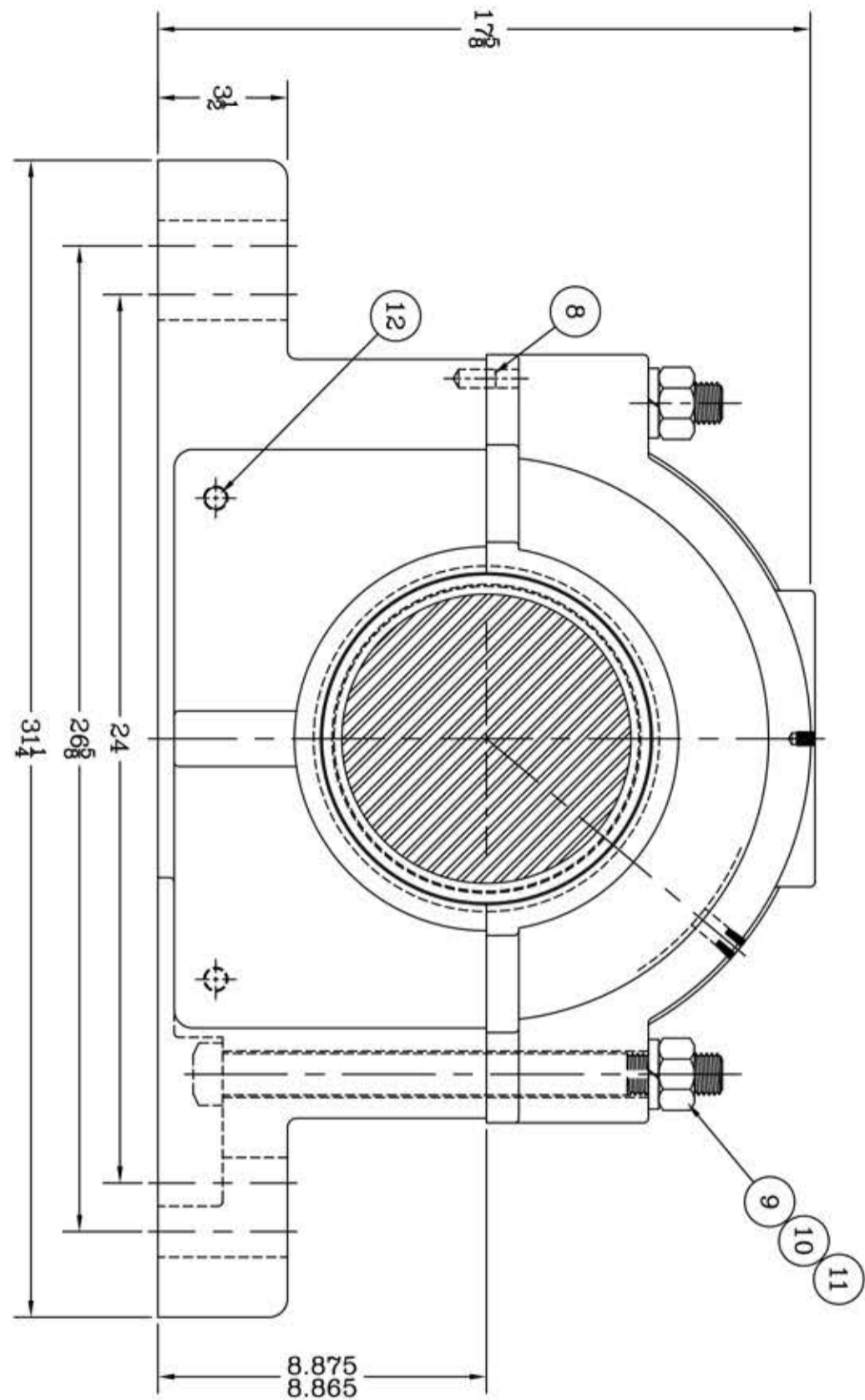
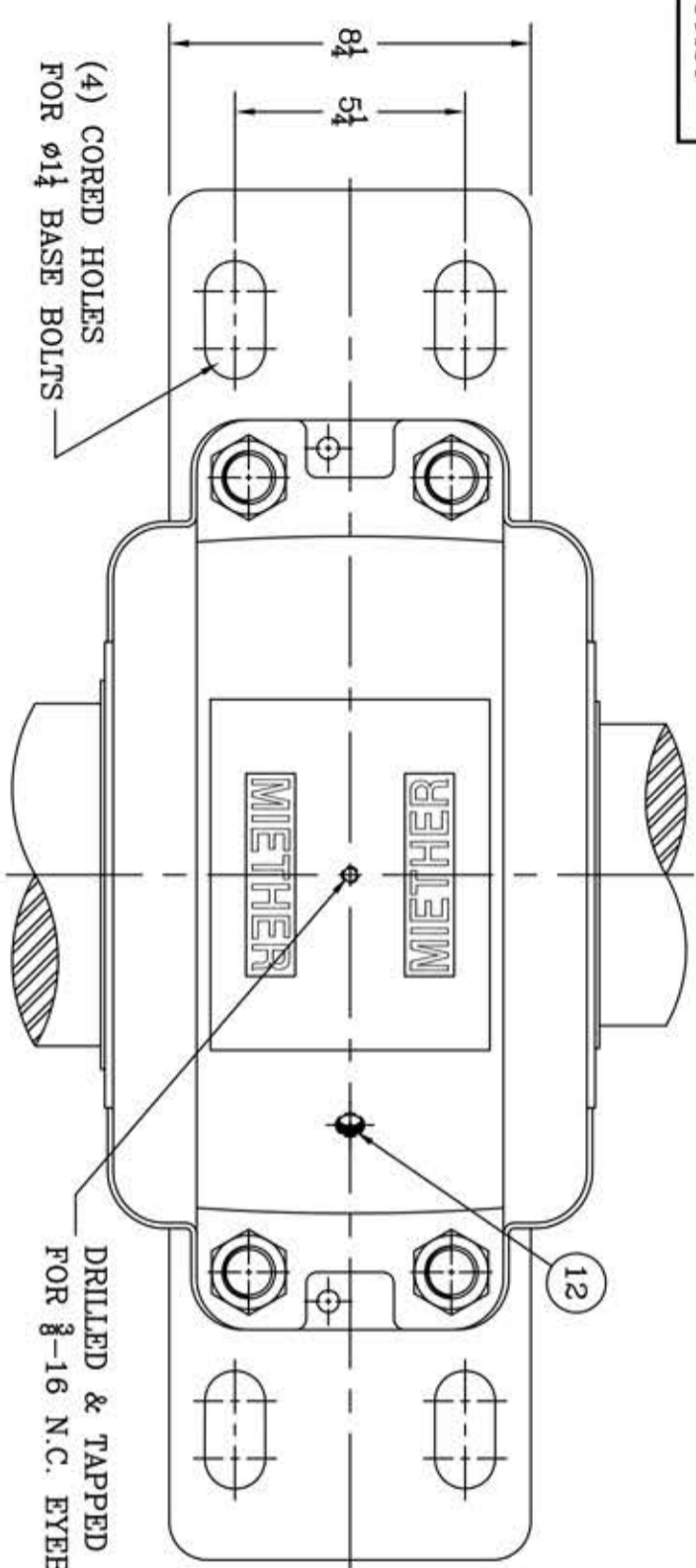
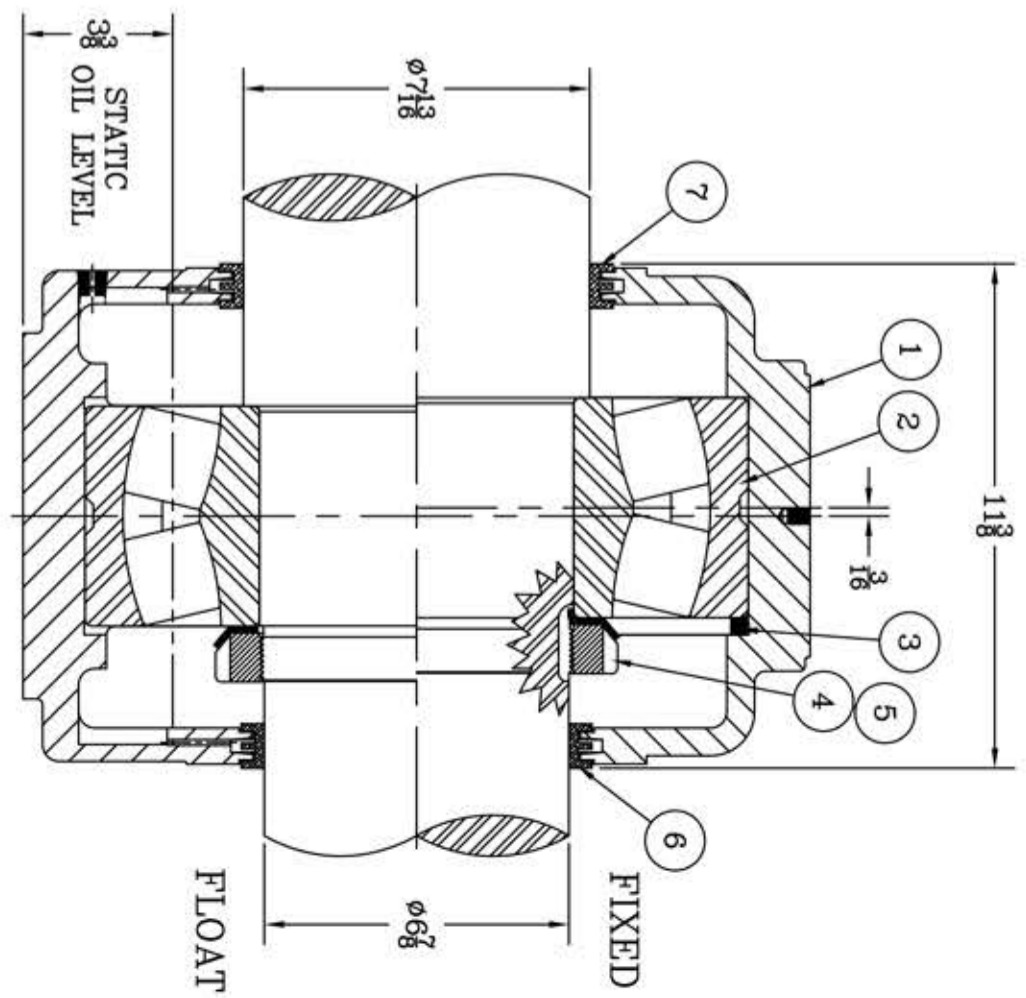


This drawing is the sole property of Miether Bearing Products and contains confidential and proprietary information. It is being provided to you for your use and may not be disclosed to any third party or used for any other purpose without Miether's prior written consent. The [materials] must be returned to the Company upon its demand. Your acceptance of these materials constitutes your acceptance of the foregoing terms.

C-14434



| ITEM | DESCRIPTION | DETAIL | REQUIRED |
|------|--------------------------|--|----------|
| 1 | HOUSING SAF 336 | C-13177 | 1 1 |
| 2 | SPHERICAL ROLLER BEARING | 22336/W-33 | 1 1 |
| 3 | STABILIZING RING SR-0-36 | A-11459 | 1 0 |
| 4 | LOCKNUT AN-36 | B-10422 | 1 1 |
| 5 | LOCKWASHER W-36 | 00252 | 1 1 |
| 6 | TRIPLE SEAL RING LER-154 | A-10672 | 1 1 |
| 7 | TRIPLE SEAL RING LER-165 | A-10675 | 1 1 |
| 8 | DOWEL | $\phi \frac{1}{2}$ x 1" LONG | 2 2 |
| 9 | CAP BOLT SQUARE HEAD | $1\frac{1}{8}$ -7 NC x 13 $\frac{1}{2}$ LONG | 4 4 |
| 10 | CAP BOLT HEX. NUT | $1\frac{1}{8}$ -7 NC | 4 4 |
| 11 | LOCKWASHER | $1\frac{1}{8}$ SPLIT MED. | 4 4 |
| 12 | PIPE PLUG | $\frac{3}{8}$ -18 NPT | 3 3 |



REDRAWN FOR CONFORMITY RWB per KAB 5-13-04

REDRAWN ON COMPUTER by RWB 6-6-01

REVISIONS

| SYMBOL | DESCRIPTION |
|--------|-------------|
| C | REVISION |
| D | REVISION |
| E | REVISION |
| F | REVISION |
| G | REVISION |
| J | REVISION |
| K | REVISION |

MICRO-INCH VALUE: 16 32 63 125 250 500 1000

AN ALCO INDUSTRIES COMPANY
BEARING PRODUCTS
ODessa, TX USA

SAF 22336 07-13 x 06-14

ASSEMBLY DRAWING

SCALE 1 = 3

DRAWN CJ

DATE 3/4/71

CHK:

ASSEMBLY NO.

DRAWING NO. C-14434

TOLERANCE: UNLESS OTHERWISE SPECIFIED

FRACTIONS $\pm 1/32$ "

DECIMALS $\pm .005$ "

CASTING $\pm 1/16$ "

WELD $\pm 1/16$ "

ANGLES $\pm .30^\circ$

A.I.S.I. STANDARD FINISHES